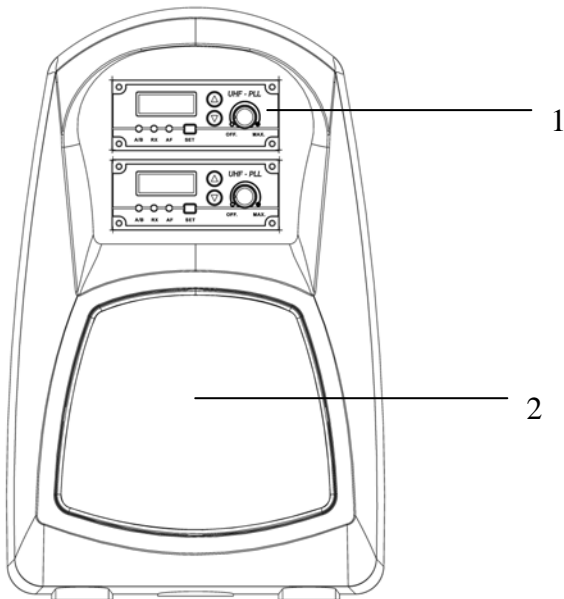


**GPA-500W User manual**  
**UHF Wireless Receiver System**

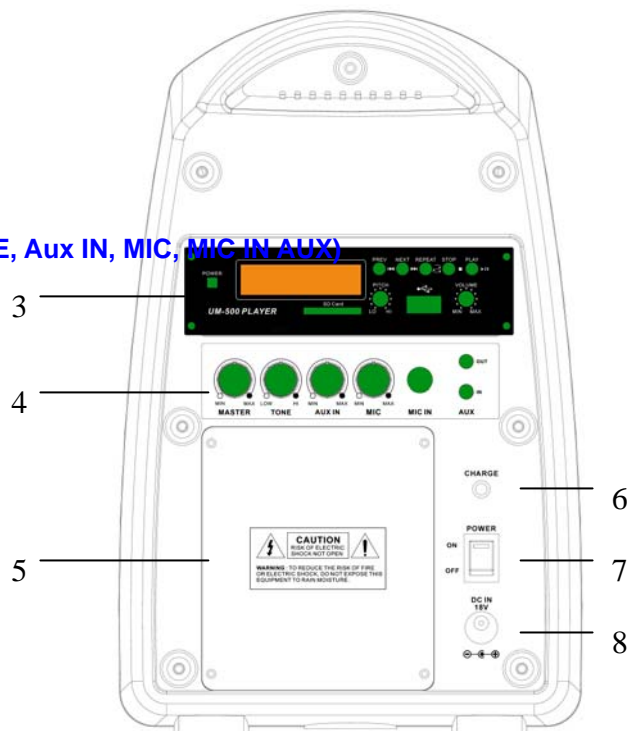
## Preface:

Thank you for buying GPA-500W wireless receiver system. This user manual includes complete description on function and operation of GPA-500W series, please read this manual before your use.

GPA-500W Illustrations:

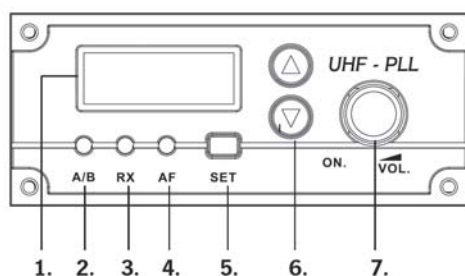


- 1. Receiver Module
- 2. Speaker
- 3. MP3 player Module (Optional)
- 4. Operation Module (MASTER, TONE, Aux IN, MIC, MIC IN AUX)
- 5. Battery
- 6. Charging indicator
- 7. On / Off switch
- 8. DC input



## E. Illustrations of Each Module

### UHF Wireless Receiver Module (DR-701)



1. LCD screen
2. A/B Antenna indicator
3. RX indicator
4. AF indicator
5. Set button
6. Up / Down button
7. Power & Volume control

How to use DR-701:

#### 1. Volume control

Turn it counterclockwise to the end to turn off, or turn it clockwise to turn on. Backlit will be lighting when this unit turns on, and LCD will show channel that is using now.

For example:

**CH.08**

#### 2. Frequency set-up

- (1) Press "SET" button for about 2 seconds then release when the LCD is flashing.
- (2) Press "UP" or "DOWN" to select required frequency.
- (3) Press "SET" button again to confirm selected frequency.
- (4) If this unit is not in the set-up mode, LCD will show used frequency when press UP or

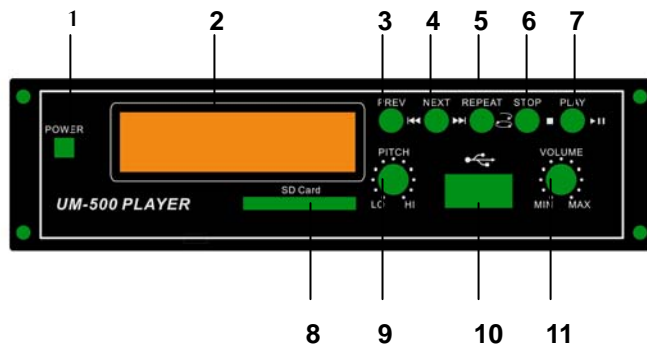
DOWN button. For example.

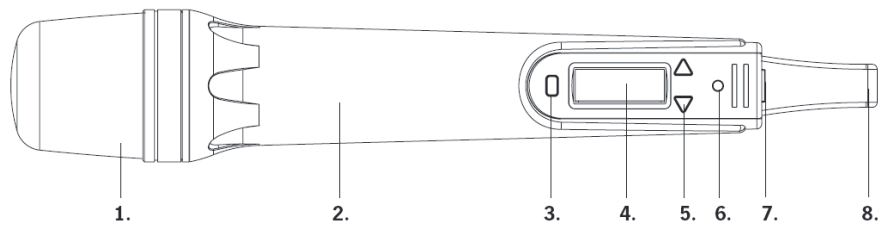
**744.1 MHz**

(5) Turn this volume control clockwise to increase or counterclockwise to decrease volume level.

## UM-500 Digital MP3 Player Module

1. Power on/off
2. LCD screen
3. Back button
4. Forward button
5. Repeat button
6. Pause button
7. Play button
8. Slot for SD card
9. Pitch control
10. USB port
11. Volume control



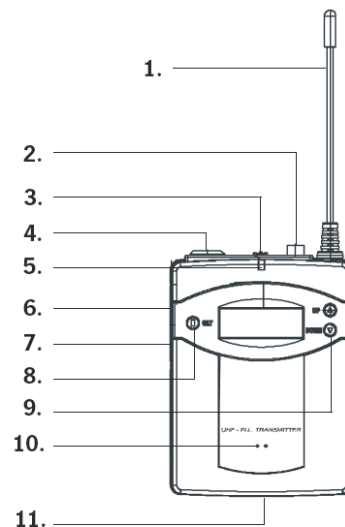


UHF Handheld Microphone (EJ-701TS / EJ-701TM)

- |                            |                               |
|----------------------------|-------------------------------|
| 1. Microphone grill        | 5. Frequency selection button |
| 2. Microphone body         | 6. LED power indicator        |
| 3. Frequency set-up button | 7. Switch on/off              |
| 4. LCD screen              | 8. Charging jack              |

UHF Body-pack transmitter (EJ-7LT / EJ-7XT)

1. Antenna
2. Mute
3. On/Off switch
4. Microphone jack (3.5 mm or 3-pin mini XLR)
5. LED power indicator
6. Sensitivity (HI/MID/LOW)
7. 3.5 mm Aux input jack
8. Set button
9. Up/Down button
10. Inbuilt microphone
11. Charging jack



## F. GPA-500W Specifications

Carrier frequency range	1.740~752MHz(96 frequencies)2.794~806MHz(96 frequencies) 3.863~865MHz(16 frequencies)
Display status	LCD indicator displays channel or frequency, battery life (transmitter)
Channel select	SET, UP and DOWN keys
Switching bandwidth	Max. 12 MHz
Ambient Temperature	-10 °C ~ 50°C
Dynamic range	100 dB
T.H.D	Less than 0.5%
Pre/De-emphasis	50µs
Squelch	Tony key and noise lock dual-squelch
Frequency response	70Hz~17KHz
Reception range	70~100 Meters

Output power	30W (RMS) , 50W (MAX.) @4Ω
Speaker	5-inch, full range
MP3 Player module	USB port / SD slot built-in (Optional)
Receiver module	DR-701 x 2 with diversity
Audio input	6.3Φ MIC in, 3.5Φ AUX in (Stereo)
Audio output	3.5ΦAUX out (Stereo)
Volume control	Wireless · Master · Tone · MIC · AUX
Power requirements	100~240VAC / 15VDC, 2A switching power supply
Battery	12V/2.9Ah Lead-Acid rechargeable battery
Charging time	4~6 hours
Operation life	3~4 hours
Dimensions	D 260 x W 210 x H 290 (mm)
Weight	4Kg (battery included)
Appearance	Black

## EJ-701TS/EJ-701TM UHF Wireless Handheld Microphone

Mike	Cardioid condenser capsule (EJ-701TM), or dynamic capsule (EJ-701TS)
Antenna	Built-in
RF output	10 mW
Spurious emission	Less than 250 nW
AF control	Hi / Low / Mute switch
Battery	1.2V (Ni-MH.1600 mAh) x 2 AA rechargeable battery, 1.5V x 2 AA Alkaline disposable
Operation life	11 hours typical (NiMH rechargeable), 14 hours typical (Alkaline disposable)
Dimensions	D 46 x L 264 (mm)
Weight	280 g (Battery included)

## EJ-7LT/EJ-7XT Body-pack Transmitter

Mike	Condenser Mic.
Antenna	Flexible
RF output	10 mW
Spurious emission	Less than 250 nW
Audio input	Mic in, Aux in
Input jack	Screw-type (EJ-7LT), mini-XLR (EJ-7XT)
AF control	Mute switch, Hi / Mid / Low switch
Battery	1.2V (Ni-MH.1600 mAh) x 2 AA rechargeable battery, 1.5V x 2 AA Alkaline disposable
Operation life	11 hours typical (NiMH rechargeable), 14 hours typical (Alkaline disposable)
Dimensions	D 26 x W 64 x H 88 (mm)
Weight	170 g( Battery included)



## Operation

Turn GPA-500W on and select required channel on DR-701. Then turn on any transmitter to a matched channel. Well, you can use it now. Simply adjust the volume or any requirement needed from control module.

## Cautions

1. It takes at least 1 meter between receiver and transmitter when they are in use.
2. Keep it away from rain.
3. Prevent it from bump or dropping.
4. Keep it away from high temperature when in use.
5. Do not use inappropriate power adapter