

CTC-systems

Loop driver for cross-the-counter systems

Installation Guide

System overview

Univox CTC-120

Univox DLS-50 loop driver
Univox 13V microphone for glass/wall
Loop pad, Sign/label with T-symbol 80 x 73 mm
Part No: 202040A EU | 202040A UK | 202040A AM

Univox CTC-121

Univox DLS-50 loop driver
Univox M-2 goose neck microphone
Loop pad, Sign/label with T-symbol 80 x 73 mm
Part No: 202040B EU | 202040B UK | 202040B AM

Univox CTC-122

Univox DLS-70 loop driver
Univox 13V microphone for glass/wall
Loop pad, Sign/label with T-symbol 80 x 73 mm
Part No: 202040C EU | 202040C UK

Univox CTC-123

Univox DLS-70 loop driver
Univox M-2 goose neck microphone
Loop pad, Sign/label with T-symbol 80 x 73 mm
Part No: 202040D EU | 202040D UK

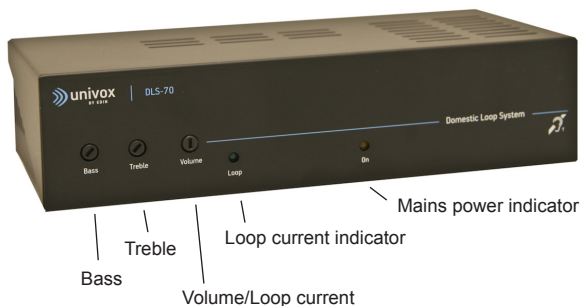
Univox CTC-124

Univox AutoLoop driver
Univox 13V microphone for glass/wall
Loop pad, Sign/label with T-symbol 80 x 73 mm
Part No: 202040E EU | 202040E UK | 202040E AM

Univox CTC-125

Univox AutoLoop driver
Univox M-2 goose neck microphone
Loop pad, Sign/label with T-symbol 80 x 73 mm
Part No: 202040F EU | 202040F UK | 202040F AM

Univox DLS-70 Loop driver



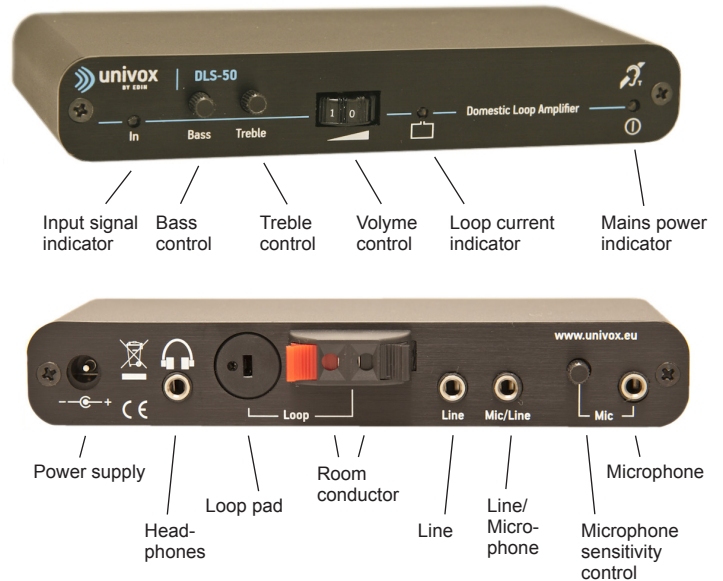
Introduction



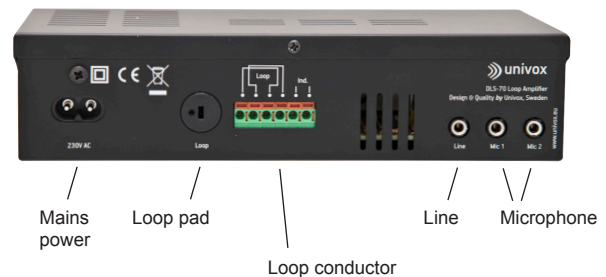
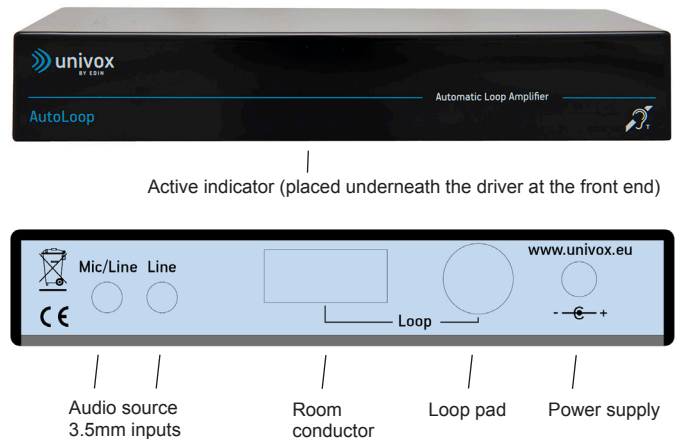
We thank you for having chosen a Univox® product and hope that you will be satisfied. All Univox® drivers have a very high output current capability resulting in powerful and secure products fulfilling existing standards, IEC 60118-4.

CTC cross-the-counter systems are a complete system for equipping reception desks and counters with an induction loop. The system consists of a loop driver, a loop pad and a microphone. A wall holder is optional. Installed in a reception desk/counter the system gives hard of hearing people with hearing aids the possibility to communicate with the staff behind the desk with greatly enhanced speech perception.

Products overview - Univox DLS-50 Loop driver



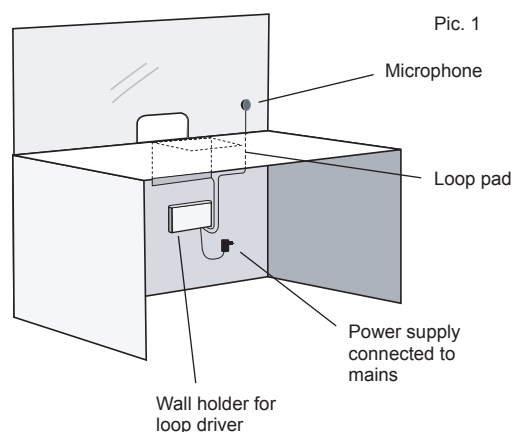
Univox AutoLoop driver



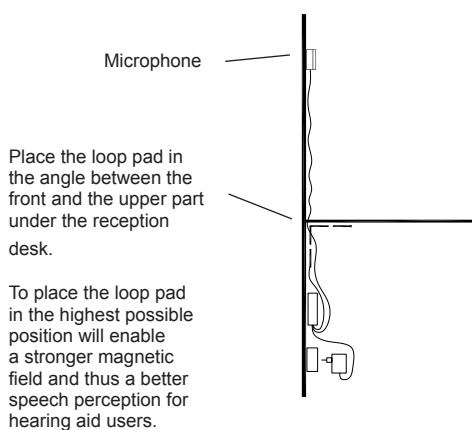
The system is always activated and no special preparations have to be undertaken, neither by the hearing impaired nor by the staff. The only requirement for hard of hearing people is to put their hearing aids in T-position and for the staff to speak normally into the microphone.

Installation guide and document of use

1. Choose a suitable place for the loop driver. Consider that the loop pad, the microphone and the loop driver's power supply shall be connected to the driver. If the wall holder has been delivered as an option: Attach the wall holder with the screw holes facing upwards on the selected spot. Two screws for this purpose are delivered in the package.
2. Choose a suitable place for the microphone. It can be placed on a wall or on glass. When choosing the place for the microphone, consider that the staff shall be able to stand or sit and talk in a normal, relaxed way with the listener. An example of how the system can be laid out, see fig. 1. Place the microphone cable under the desk in such a way that it will reach the place where the loop driver/wall holder is mounted. The microphone cable is 1,8 meters.
3. Mount the loop pad under the reception desk. The loop pad should be attached in the angle between the front and the upper part of the reception desk as shown in Pic. 1 and 2. This will ensure a constant field distribution with the right direction and also allow hearing aid users to tilt their head forwards, for example when writing. When mounting the pad (Be careful not to damage the loop cables inside the pad), place the loop pad cable in such a way that it will reach the loop driver/wall holder. The loop pad cable is 10 meters.
4. Connect the cables power supply, loop pad and microphone, see page 1, and connect the power supply to mains. If a wall holder has been delivered (optional) put the cables from the loop driver's transformer, loop pad and microphone through the wall holder from underneath. Turn the driver in such a way that the connector side is facing down and you can read the text on the front of the driver in the right direction. Connect all three cables, see page 1. Finally, lower the driver into the wall holder and connect the transformer to mains.
5. When all connections are completed correctly the LED-indicator for mains power on the right hand side of the front of the driver shall light up. The system is now ready to be used.
6. The loop current is adjusted by turning the volume control at the front of the driver. Verify the loop level/volume with a Univox Listener. Bass and treble controls shall only be adjusted in exceptional cases to reach an adjusted frequency rendering.



Pic. 2



CTC-120 and CTC-121 systems consists



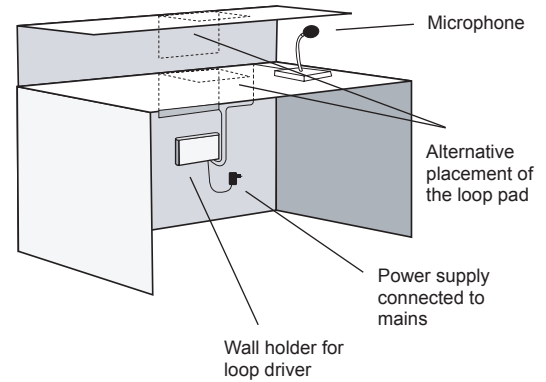
Univox DLS-50 Loop driver

The system is always activated and no special preparations have to be undertaken, neither by the hearing impaired nor by the staff. The only requirement for hard of hearing people is to put their hearing aids in T-position and for the staff to speak normally into the microphone.

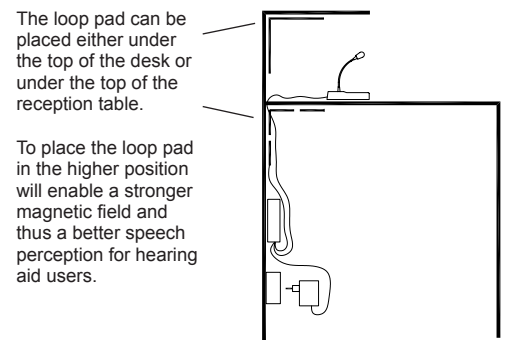
Installation guide and document of use

1. Choose a suitable place for the loop driver. Consider that the loop pad, the microphone and the loop driver's power supply shall be connected to the driver. If the wall holder has been delivered as an option: Attach the wall holder with the screw holes facing upwards on the selected spot. Two screws for this purpose are delivered in the package.
2. Choose a suitable place for the microphone. It can be placed on a desk or a table. When choosing the place for the microphone, consider that the staff shall be able to stand or sit and talk in a normal, relaxed way with the listener. An example of how the system can be laid out, see Pic. 3. Place the microphone cable under the desk in such a way that it will reach the place where the loop driver/wall holder is mounted. The microphone cable is 1,5 meters.
3. Mount the loop pad under the reception desk. The loop pad should be attached in the angle between the front and the upper part of the reception desk as shown in Pic. 3 and 4. This will ensure a constant field distribution with the right direction and also allow hearing aid users to tilt their head forwards, for example when writing. When mounting the pad (Be careful not to damage the loop cables inside the pad), place the loop pad cable in such a way that it will reach the loop driver/wall holder. The loop pad cable is 10 meters.
4. Connect the cables power supply, loop pad and microphone, see page 1, and connect the power supply to mains. If a wall holder has been delivered (optional) put the cables from the loop driver's transformer, loop pad and microphone through the wall holder from underneath. Turn the driver in such a way that the connector side is facing down and you can read the text on the front of the driver in the right direction. Connect all three cables, see page 1. Finally, lower the driver into the wall holder and connect the transformer to mains.
5. When all connections are completed correctly the LED-indicator for mains power on the right hand side of the front of the driver shall light up. The system is now ready to be used.
6. The loop current is adjusted by turning the volume control at the front of the driver. Verify the loop level/volume with a Univox Listener. Bass and treble controls shall only be adjusted in exceptional cases to reach an adjusted frequency rendering.

Pic. 3



Pic. 4



Wall holder for the DLS-50 and AutoLoop driver's (optional)



Loop pad



13V microphone for glass/wall (CTC-120)



M-2 goose neck microphone (CTC-121)

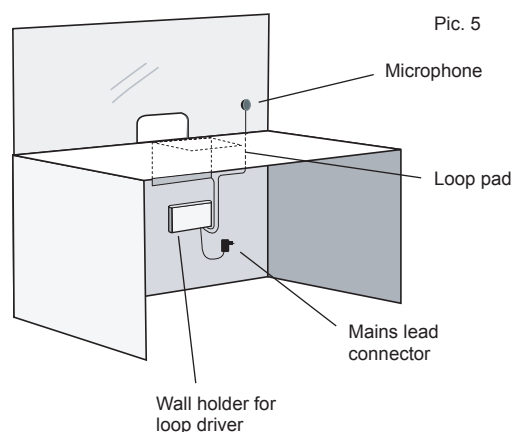


Sign with T-symbol

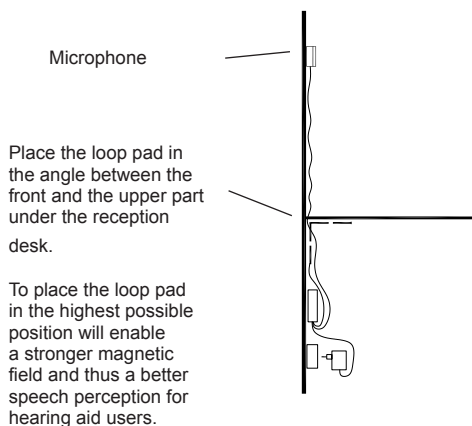
The system is always activated and no special preparations have to be undertaken, neither by the hearing impaired nor by the staff. The only requirement for hard of hearing people is to put their hearing aids in T-position and for the staff to speak normally into the microphone.

Installation guide and document of use

1. Choose a suitable place for the loop driver. Consider that the loop pad, the microphone and the loop driver's mains lead connector shall be connected to the driver.
2. Choose a suitable place for the microphone. It can be placed on a wall or on glass. When choosing the place for the microphone, consider that the staff shall be able to stand or sit and talk in a normal, relaxed way with the listener. An example of how the system can be laid out, see Pic. 5. Place the microphone cable under the desk in such a way that it will reach the place where the loop driver/wall holder is mounted. The microphone cable is 1,8 meters.
3. Mount the loop pad under the reception desk. The loop pad should be attached in the angle between the front and the upper part of the reception desk as shown in Pic. 5 and 6. This will ensure a constant field distribution with the right direction and also allow hearing aid users to tilt their head forwards, for example when writing. When mounting the pad (Be careful not to damage the loop cables inside the pad), place the loop pad cable in such a way that it will reach the loop driver/wall holder. The loop pad cable is 10 meters.
4. Connect the cables for mains, loop pad and microphone to the driver, see page 1, and finally connect the driver to mains.
5. When all connections are completed correctly the LED-indicator for mains power on the front of the driver shall light up. The system is now ready to be used.
6. The loop current is adjusted by turning the volume control at the front of the driver. Verify the loop level/volume with a Univox Listener. Bass and treble controls shall only be adjusted in exceptional cases to reach an adjusted frequency rendering.



Pic. 5



Pic. 6

CTC-122 and CTC-123 systems consists



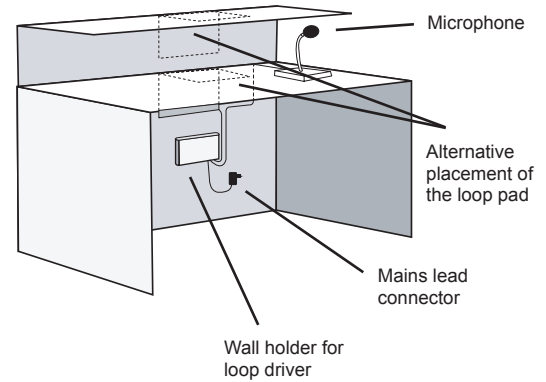
Univox DLS-70 Loop driver

The system is always activated and no special preparations have to be undertaken, neither by the hearing impaired nor by the staff. The only requirement for hard of hearing people is to put their hearing aids in T-position and for the staff to speak normally into the microphone.

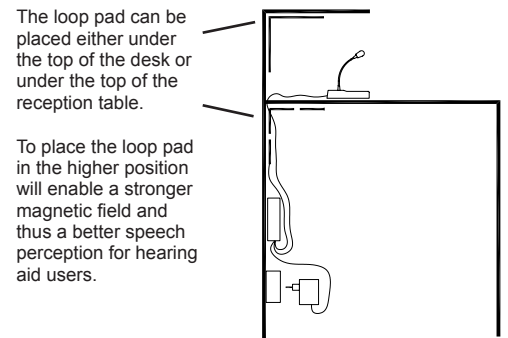
Installation guide and document of use

1. Choose a suitable place for the loop driver. Consider that the loop pad, the microphone and the loop driver's mains lead connector shall be connected to the driver.
2. Choose a suitable place for the microphone. It can be placed on a desk or a table. When choosing the place for the microphone, consider that the staff shall be able to stand or sit and talk in a normal, relaxed way with the listener. An example of how the system can be laid out, see Pic. 7. Place the microphone cable under the desk in such a way that it will reach the place where the loop driver/wall holder is mounted. The microphone cable is 1,5 meters.
3. Mount the loop pad under the reception desk. The loop pad should be attached in the angle between the front and the upper part of the reception desk as shown in Pic. 7 and 8. This will ensure a constant field distribution with the right direction and also allow hearing aid users to tilt their head forwards, for example when writing. When mounting the pad (Be careful not to damage the loop cables inside the pad), place the loop pad cable in such a way that it will reach the loop driver/wall holder. The loop pad cable is 10 meters.
4. Connect the cables for mains, loop pad and microphone to the driver, see page 1, and finally connect the driver to mains.
5. When all connections are completed correctly the LED-indicator for mains power on the front of the driver shall light up. The system is now ready to be used.
6. The loop current is adjusted by turning the volume control at the front of the driver. Verify the loop level/volume with a Univox Listener. Bass and treble controls shall only be adjusted in exceptional cases to reach an adjusted frequency rendering.

Pic. 7



Pic. 8



Loop pad



13V microphone for glass/wall (CTC-122)



M-2 goose neck microphone (CTC-123)

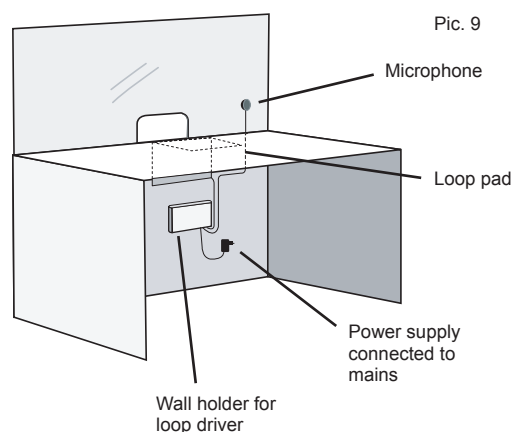


Sign with T-symbol

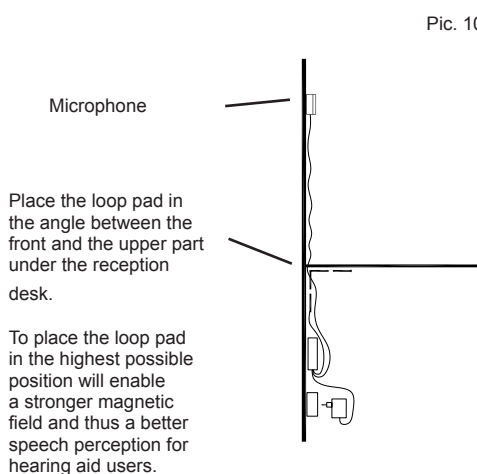
The system is always activated and no special preparations have to be undertaken, neither by the hearing impaired nor by the staff. The only requirement for hard of hearing people is to put their hearing aids in T-position and for the staff to speak normally into the microphone.

Installation guide and document of use

1. Choose a suitable place for the loop driver. Consider that the loop pad, the microphone and the loop driver's power supply shall be connected to the driver. If the wall holder has been delivered as an option: Attach the wall holder with the screw holes facing upwards on the selected spot. Two screws for this purpose are delivered in the package.
2. Choose a suitable place for the microphone. It can be placed on a wall or on glass. When choosing the place for the microphone, consider that the staff shall be able to stand or sit and talk in a normal, relaxed way with the listener. An example of how the system can be laid out, see Pic. 9. Place the microphone cable under the desk in such a way that it will reach the place where the loop driver/wall holder is mounted. The microphone cable is 1,8 meters.
3. Mount the loop pad under the reception desk. The loop pad should be attached in the angle between the front and the upper part of the reception desk as shown in Pic. 9 and 10. This will ensure a constant field distribution with the right direction and also allow hearing aid users to tilt their head forwards, for example when writing. When mounting the pad (Be careful not to damage the loop cables inside the pad), place the loop pad cable in such a way that it will reach the loop driver/wall holder. The loop pad cable is 10 meters.
4. Connect the cables for power supply, loop pad and microphone, see page 1, and connect the power supply to mains. If a wall holder has been delivered (optional) put the cables from the loop driver's transformer, loop pad and microphone through the wall holder from underneath. Turn the driver in such a way that the connector side is facing down and you can read the text on the front of the driver in the right direction. Connect all three cables, see page 1. Finally, lower the driver into the wall holder and connect the transformer to mains.
5. When all connections are completed correctly the LED-indicator for mains power on the right hand side of the front of the driver shall light up. The system is now ready to be used.
6. The loop current is automatic. No settings are necessary.



Pic. 9



Pic. 10

CTC-124 and CTC-125 systems consists



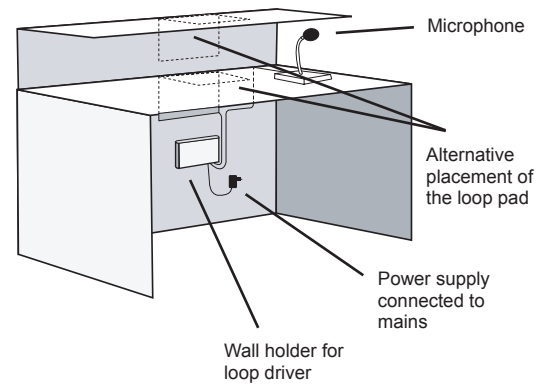
Univox AutoLoop driver

The system is always activated and no special preparations have to be undertaken, neither by the hearing impaired nor by the staff. The only requirement for a hearing impaired to put their hearing aids in T-position and for the staff to speak normally into the microphone.

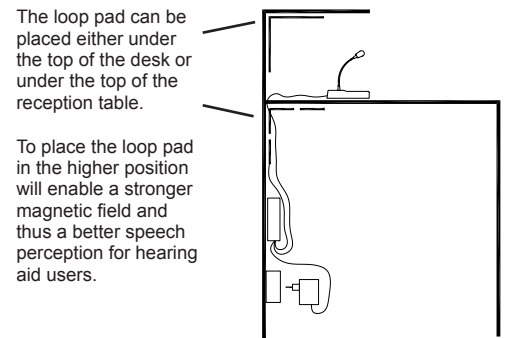
Installation guide and document of use

1. Choose a suitable place for the loop driver. Consider that the loop pad, the microphone and the loop driver's power supply shall be connected to the driver. If the wall holder has been delivered as an option: Attach the wall holder with the screw holes facing upwards on the selected spot. Two screws for this purpose are delivered in the package.
2. Choose a suitable place for the microphone. It can be placed on a desk or a table. When choosing the place for the microphone, consider that the staff shall be able to stand or sit and talk in a normal, relaxed way with the listener. An example of how the system can be laid out, see Pic. 11. Place the microphone cable under the desk in such a way that it will reach the place where the loop driver/wall holder is mounted. The microphone cable is 1,8 meters.
3. Mount the loop pad under the reception desk. The loop pad should be attached in the angle between the front and the upper part of the reception desk as shown in Pic. 11 and 12. This will ensure a constant field distribution with the right direction and also allow hearing aid users to tilt their head forwards, for example when writing. When mounting the pad (Be careful not to damage the loop cables inside the pad), place the loop pad cable in such a way that it will reach the loop driver/wall holder. The loop pad cable is 10 meters.
4. Connect the cables for power supply, loop pad and microphone, see page 1, and connect the power supply to mains. If a wall holder has been delivered (optional) put the cables from the loop driver's transformer, loop pad and microphone through the wall holder from underneath. Turn the driver in such a way that the connector side is facing down and you can read the text on the front of the driver in the right direction. Connect all three cables, see page 1. Finally, lower the driver into the wall holder and connect the transformer to mains.
5. When all connections are completed correctly the LED-indicator for mains power on the right hand side of the front of the driver shall light up. The system is now ready to be used.
6. The loop current is automatic. No settings are necessary.

Pic. 11



Pic. 12



Wall holder for the DLS-50 and AutoLoop driver's (optional)



Loop pad



13V microphone for glass/wall (CTC-124)



M-2 goose neck microphone (CTC-125)



Sign with T-symbol

Security/warranty

Basic knowledge in audio and video installation techniques is required to achieve existing regulations. The installer is responsible for the installation hereby avoiding any risk or cause of fire. Please note that the warranty is not valid for any damage or defects on the product due to incorrect or incautious installation, usage or maintenance. Bo Edin AB is not responsible for interference from radio or TV equipment, or damage caused by the product to any property or liable for the consequences of such damages.

Maintenance and care

Under normal circumstances Univox® loop drivers do not need any special maintenance. Should the unit become dirty, wipe it with a clean damp cloth. Do not use solvent or strong detergents.

Troubleshooting

Verify the control LEDs following the instructions in this installation guide. Use Univox Listener to check the sound quality and basic level of the loop. If the loop driver does not perform satisfactory, check the following:

- Does the mains power indicator light? If not, control that the transformer is correctly connected to the power outlet and to the driver.
- Does the loop current indicator light? As this indicator lights it's a guarantee that the system works. If not, check that the loop pad is not broken and correctly connected. Check also all other connections.
- Attention! If headphones are connected the loop current indicator is disabled.
- The loop current indicator lights but there is no sound in the hearing aid/headphones: check that the M-T-O switch of the hearing aid is in T or MT mode. Also check the status of your hearing aid batteries.
- Bad sound quality? Adjust the loop current, bass and treble controls. Bass and treble adjustment should normally not be needed.

Make sure that Listener is turned on (red LED flashes). If not change the batteries. Please make sure that batteries is inserted correctly. If the loop receiver sound is weak, make sure that Listener is hanging/hold in vertical position. Adjust volume if necessary. Weak signal might indicate that the loop system doesn't comply with the international standard IEC 60118-4.

Should the system not work after having made the product test as described above, please contact the local distributor for further instructions. Please also note that the warranty is not valid for any damage or defects on the product due to incorrect or incautious installation, usage or maintenance.

Service

Should the product/system not work after having made the product test as described above, please contact the local distributor for further instructions. If the product should be sent to Bo Edin AB, please enclose a filled Service Form, www.univox.eu/Support.

Technical data

For additional information, please refer to product data sheet/brochure and CE certificate which can be downloaded at www.univox.eu/Downloads. If required other technical documents can be ordered from your local distributor or from support@edin.se.

Environment

When this system is finished with, please follow existing disposal regulations. Thus if you respect these instructions you ensure human health and environmental protection.

Measuring devices

Univox® FSM 2.0, Field Strength Meter

Instrument for professional measurement and control of loop systems according to IEC 60118-4.



Univox® Listener

Loop receiver for fast and simple check of the sound quality and basic level control of the loop.



Univox by edin, the world's leading expert and producer of high quality hearing loop systems, created the very first true loop amplifier 1969. Ever since our mission is to serve the hearing community with the highest degree of service and performance with strong focus on Research and Development for new technical solutions..